

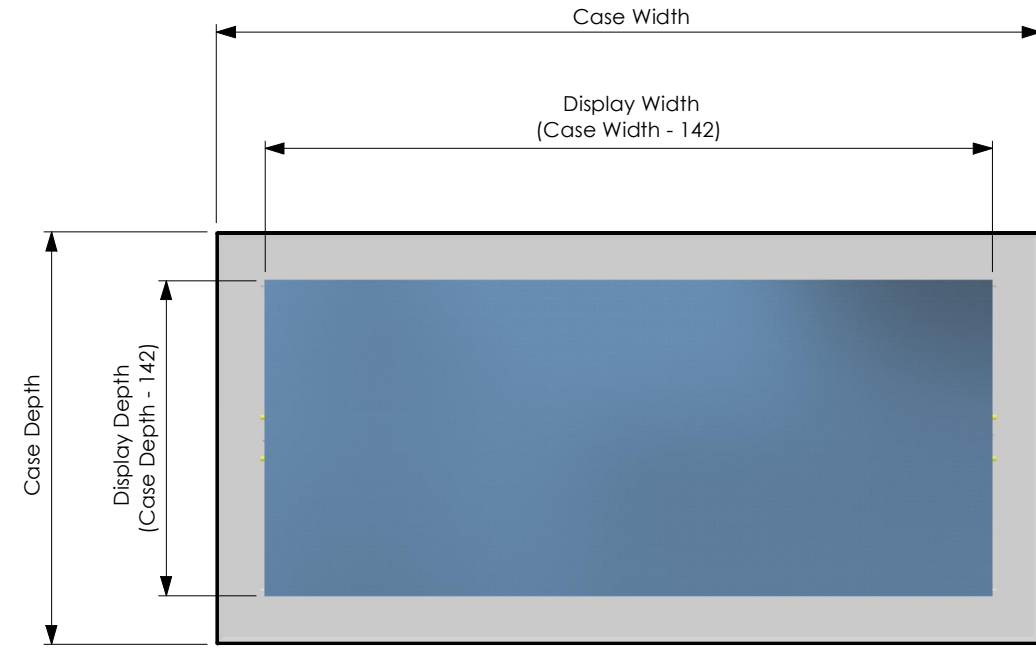


By Appointment to HM The Queen
Display Case Suppliers
Click Netherfield Limited

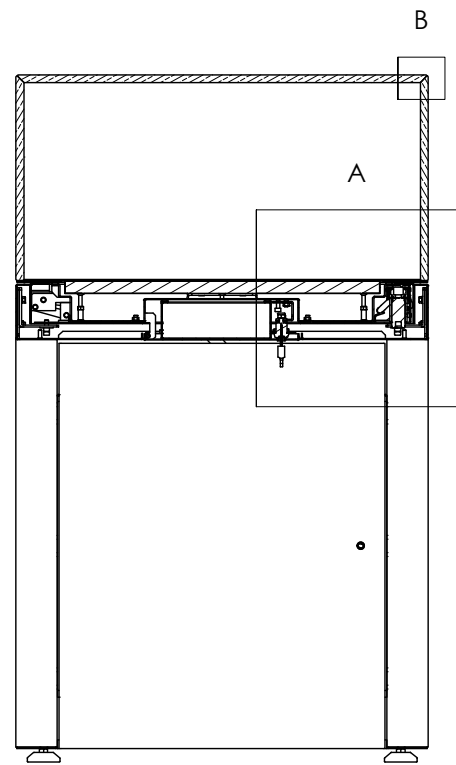
PRISM 6 BOTTOM BACK HINGED



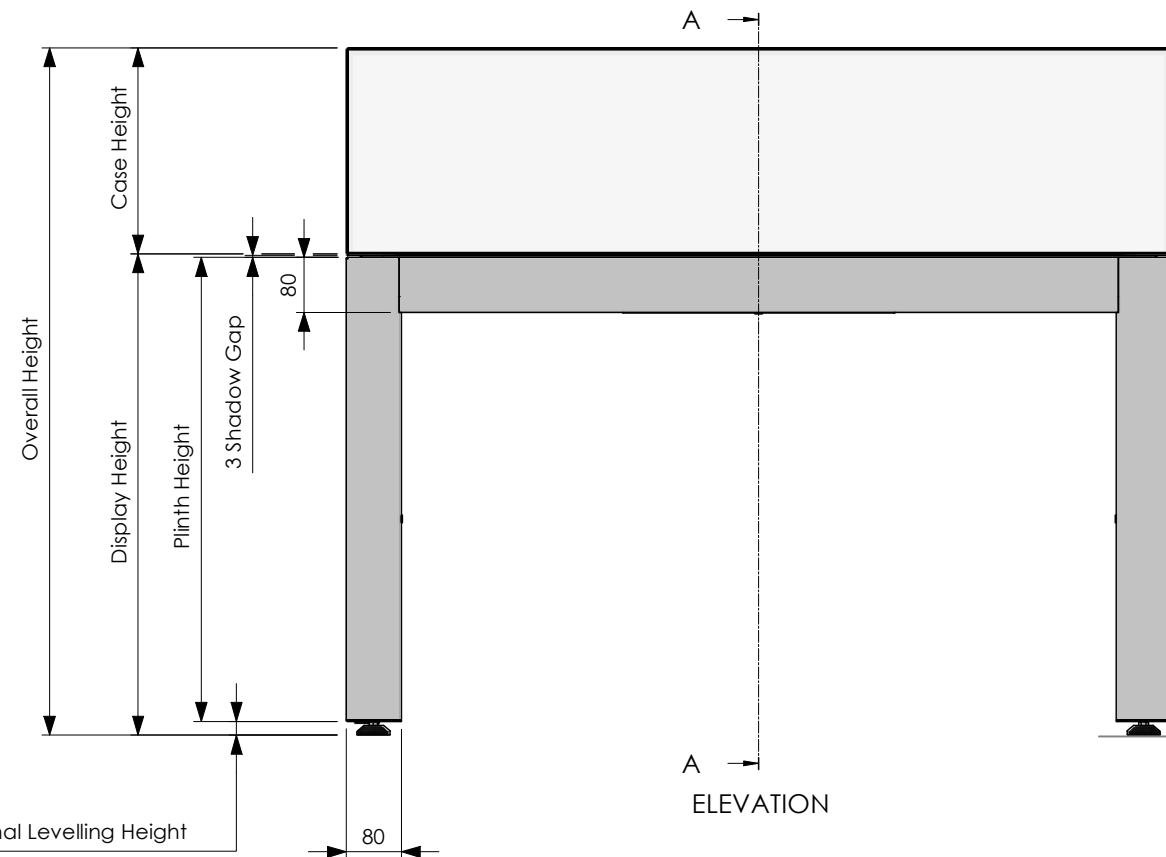
SIZE BOUNDARIES		
PARAMETER	VALUE	NOTES
MAX Case Height	600	
MIN Case Height	200	
MAX Case Width	2000	
MIN Case Width	600	
MAX Case Depth	1000	
MIN Case Depth	400	
MAX Opening Angle	40°	*
MIN Depth/Height Ratio	1.5	Consider Top Back Hinged or V-Lift for D/H < 1.5
Glass Thickness	9.5, 11.5, 13.5	Laminated low-iron or low-iron anti-reflective



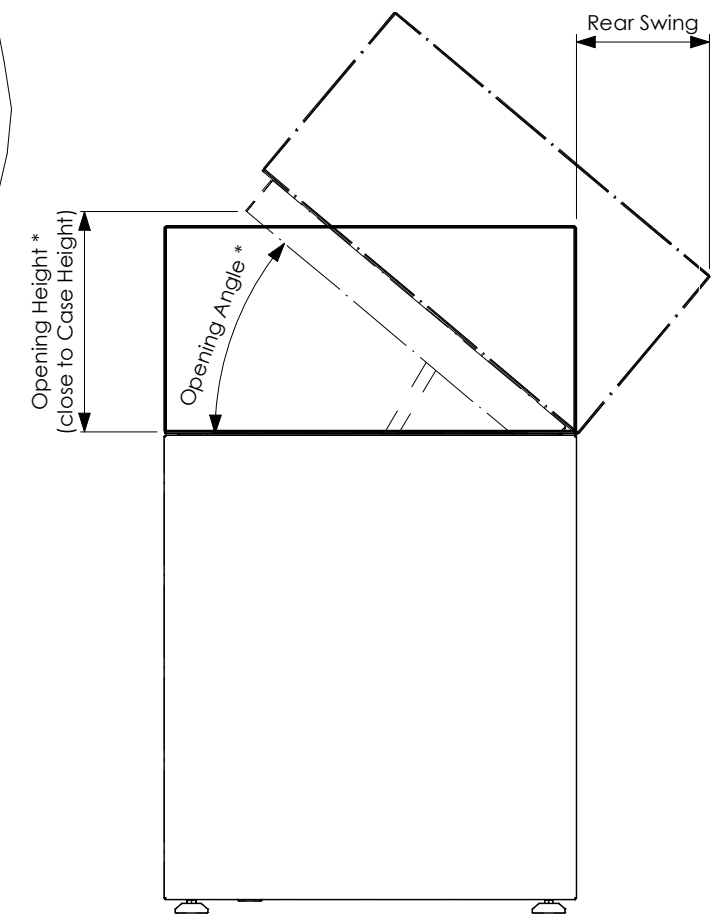
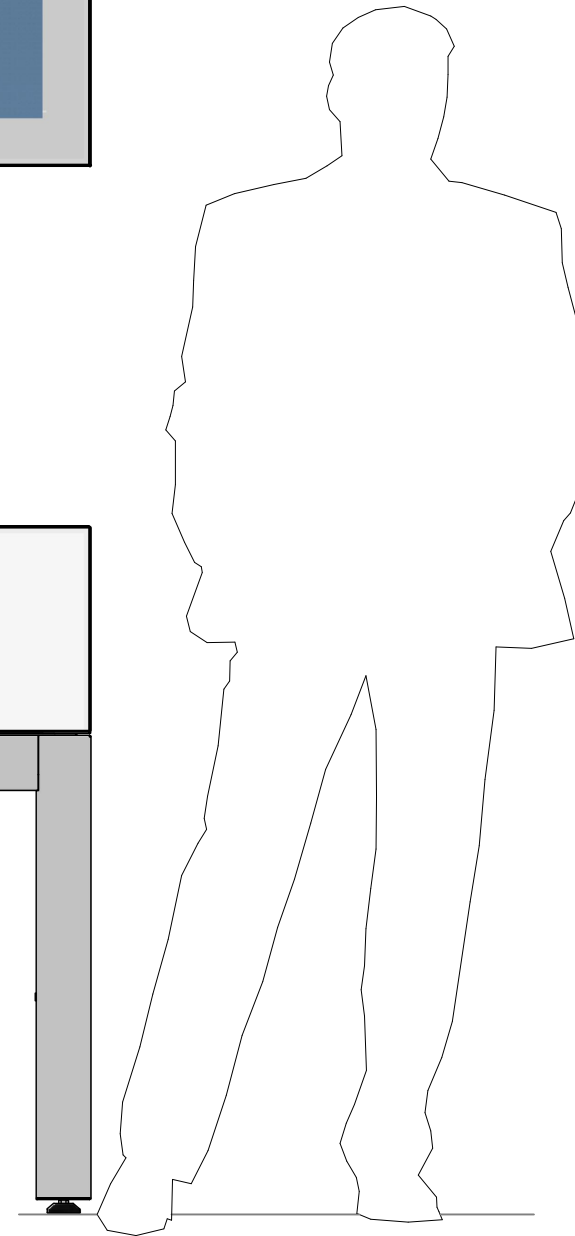
PLAN



A-A



A →
ELEVATION



END ELEVATION (OPEN)

* Opening height/angle may be restricted to avoid risk of showcase toppling over

CLICKNETHERFIELD LTD
THE GLASSWORKS, GRANGE ROAD
HOUSTON INDUSTRIAL ESTATE
LIVINGSTON EH54 5DE, SCOTLAND
T +44 (0) 1506 835200
F +44 (0) 1506 835201
E SHOWCASES@CLICKNETHERFIELD.COM
WWW.CLICKNETHERFIELD.COM

REGISTERED IN SCOTLAND NO SC209017 VAT REG 848038508

000000-C07978-C-01.dwg Rev A

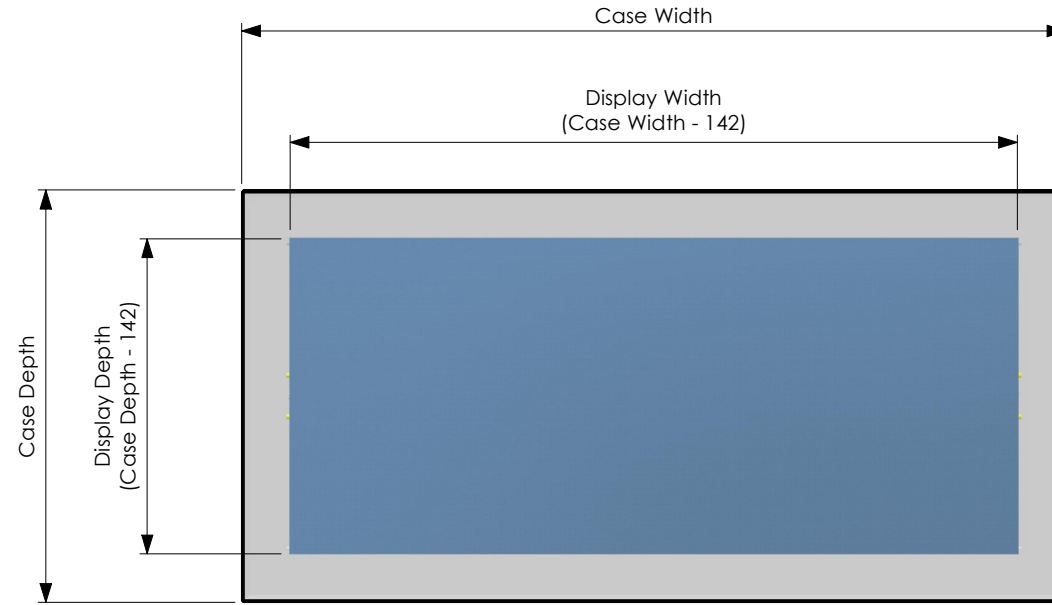


By Appointment to HM The Queen
Display Case Suppliers
Click Netherfield Limited

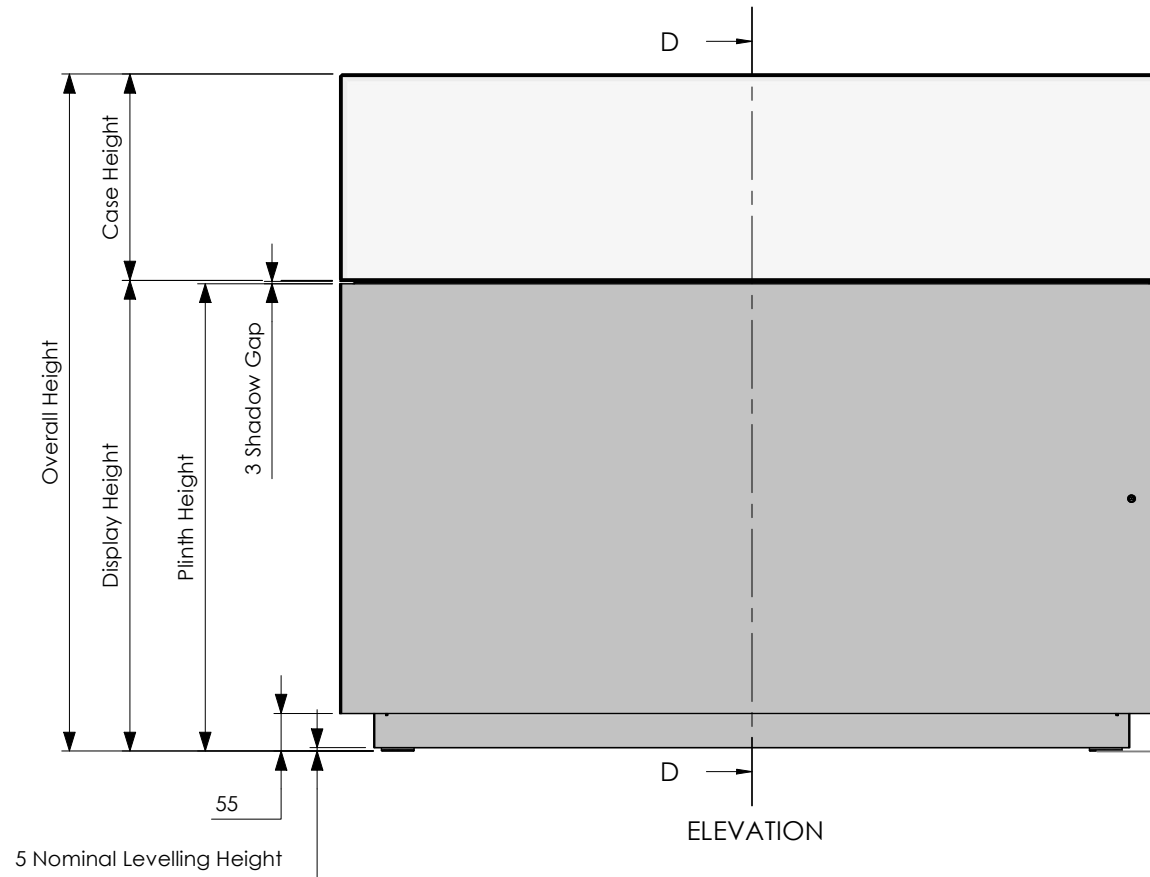
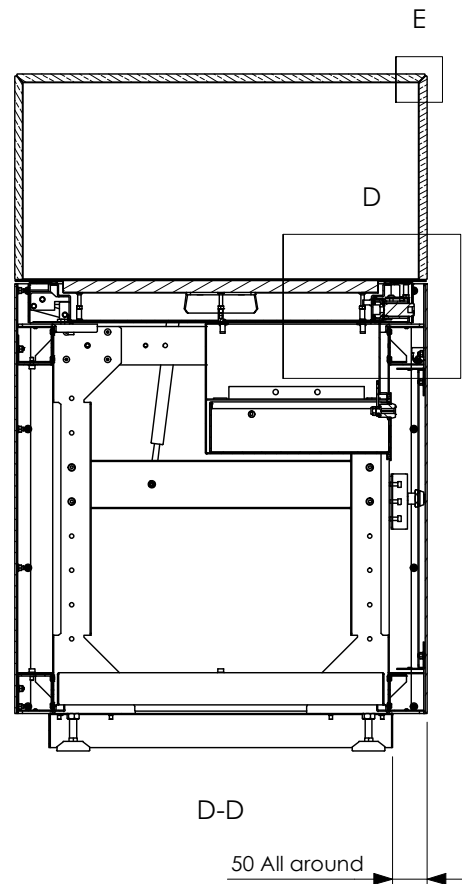
PRISM 6 BOTTOM BACK HINGED



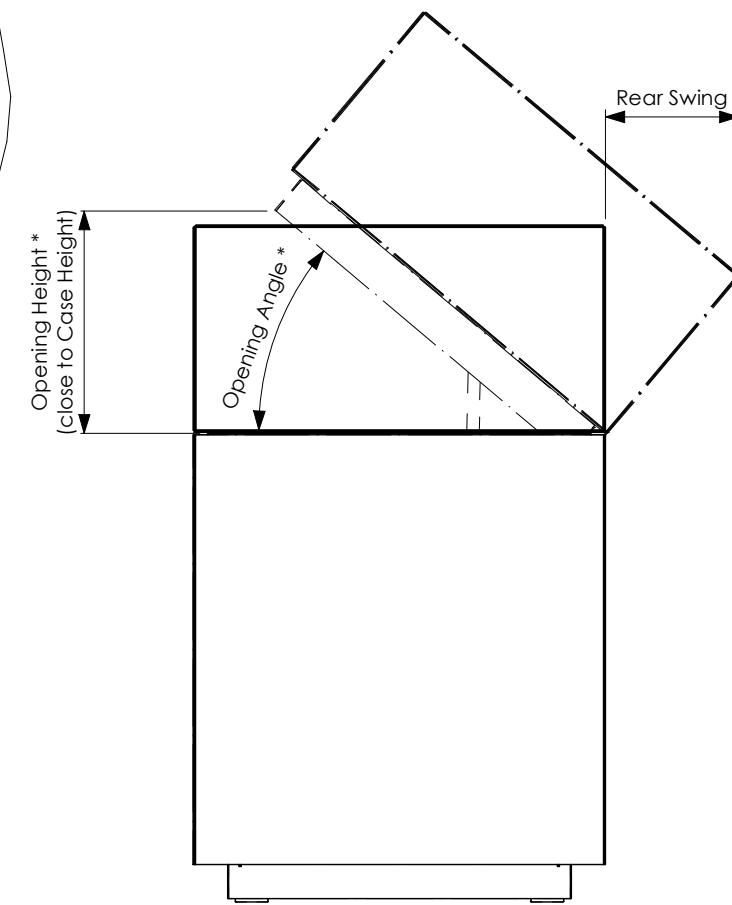
SIZE BOUNDARIES		
PARAMETER	VALUE	NOTES
MAX Case Height	600	
MIN Case Height	200	
MAX Case Width	2800	
MIN Case Width	400	
MAX Case Depth	1200	
MIN Case Depth	400	
MAX Opening Angle	40°	*
MIN Depth/Height Ratio	1.5	Consider Top Back Hinged or V-Lift for D/H < 1.5
Glass Thickness	9.5, 11.5, 13.5	Laminated low-iron or low-iron anti-reflective



PLAN



ELEVATION



END ELEVATION (OPEN)

CLICKNETHERFIELD LTD
THE GLASSWORKS, GRANGE ROAD
HOUSTON INDUSTRIAL ESTATE
LIVINGSTON EH54 5DE, SCOTLAND
T +44 (0) 1506 835200
F +44 (0) 1506 835201
E SHOWCASES@CLICKNETHERFIELD.COM
WWW.CLICKNETHERFIELD.COM

REGISTERED IN SCOTLAND NO SC209017 VAT REG 848038508

000000-C07978-C-01.dwg Rev A



By Appointment to HM The Queen
Display Case Suppliers
Click Netherfield Limited

PRISM 6 BOTTOM BACK HINGED



- Dress baseboard
- Fabric wrapped
- Powder coated
- Wet painted

Powder coated internal metal frame

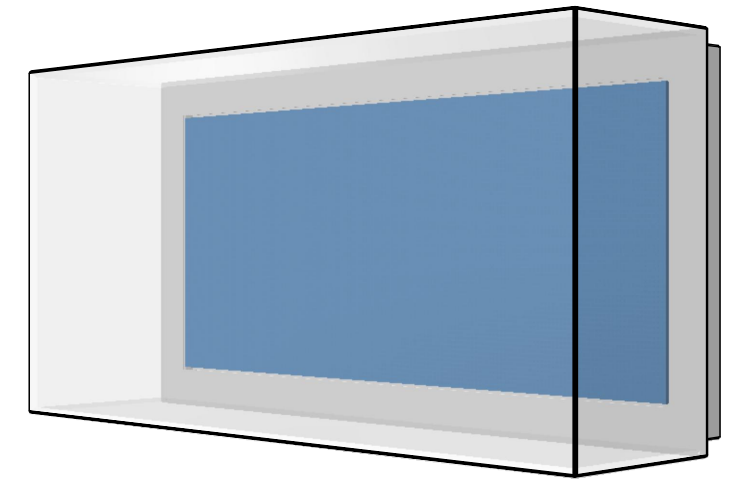
Powder coated metal frame

Lower surface presents holes for surface fixing (table top, wall orientation)

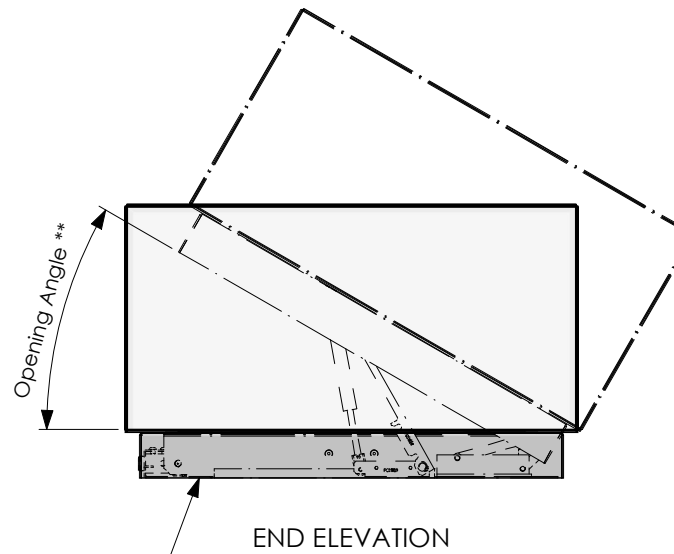
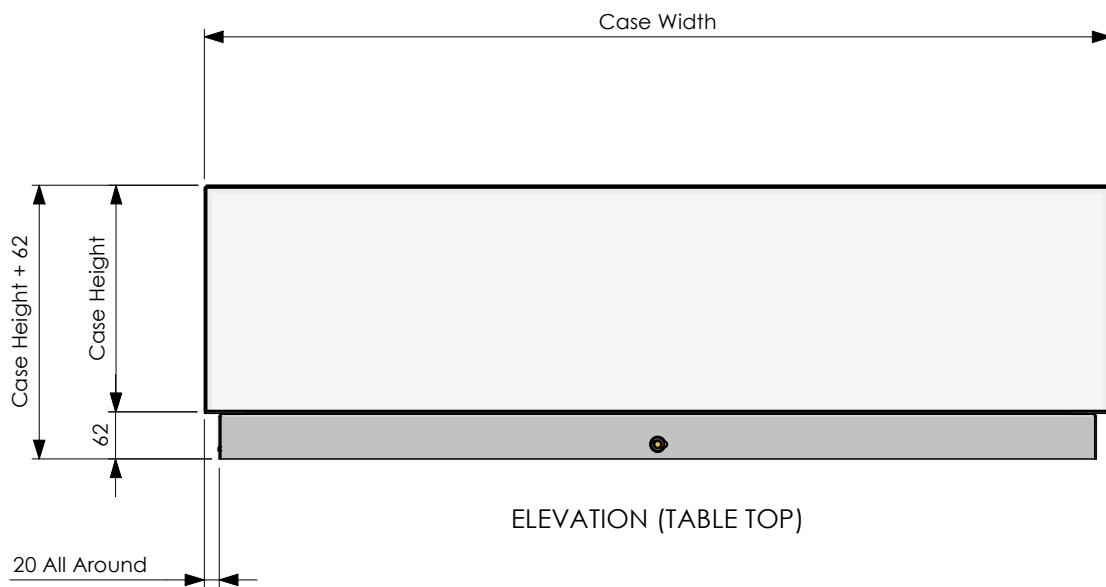
Lock accessible from front
OR
underneath

Fully integrated gas springs
to assist opening and closing operation

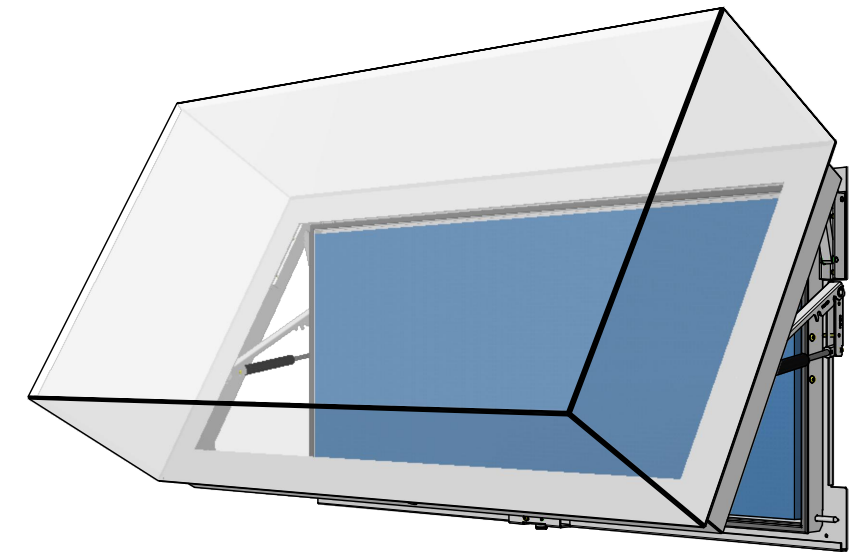
TABLE TOP (OPEN)



WALL MOUNTED



Any additional equipment for lighting
must be stored outside showcase



WALL MOUNTED (OPEN)

**
Opening height/angle may be restricted
by showcase sizes and gas springs geometry

CLICKNETHERFIELD LTD
THE GLASSWORKS, GRANGE ROAD
HOUSTON INDUSTRIAL ESTATE
LIVINGSTON EH54 5DE, SCOTLAND
T +44 (0) 1506 835200
F +44 (0) 1506 835201
E SHOWCASES@CLICKNETHERFIELD.COM
WWW.CLICKNETHERFIELD.COM

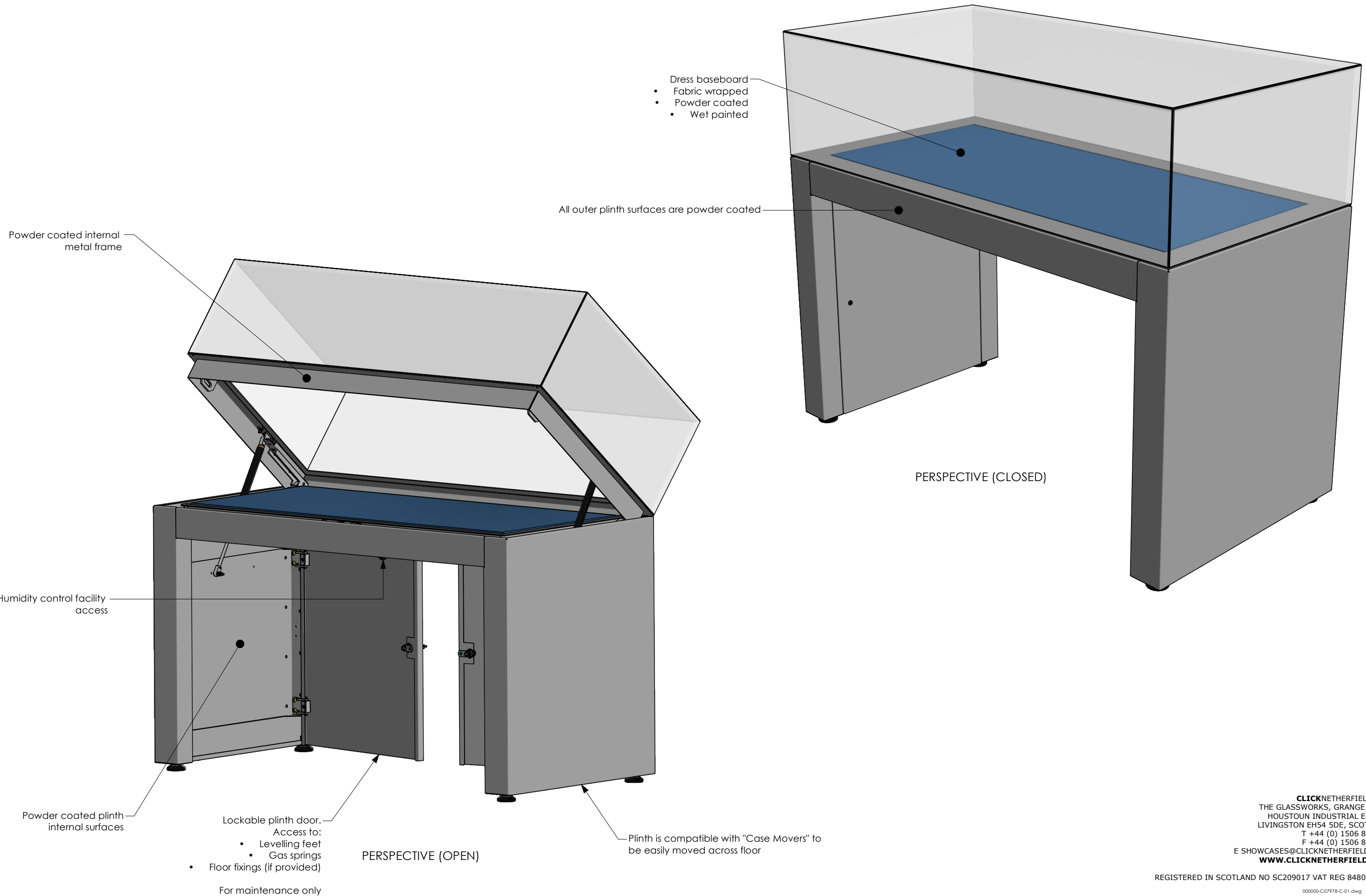
REGISTERED IN SCOTLAND NO SC209017 VAT REG 848038508

000000-C07978-C-01.dwg Rev A



By Appointment to HM The Queen
Display Case Suppliers
Click Netherfield Limited

PRISM 6 BOTTOM BACK HINGED



CLICKNETHERFIELD LTD
THE GLASSWORKS, GRANGE ROAD
HOUSTOUN INDUSTRIAL ESTATE
LIVINGSTON EH54 5DE, SCOTLAND
T +44 (0) 1506 835200
F +44 (0) 1506 835201
E SHOWCASES@CLICKNETHERFIELD.COM
WWW.CLICKNETHERFIELD.COM

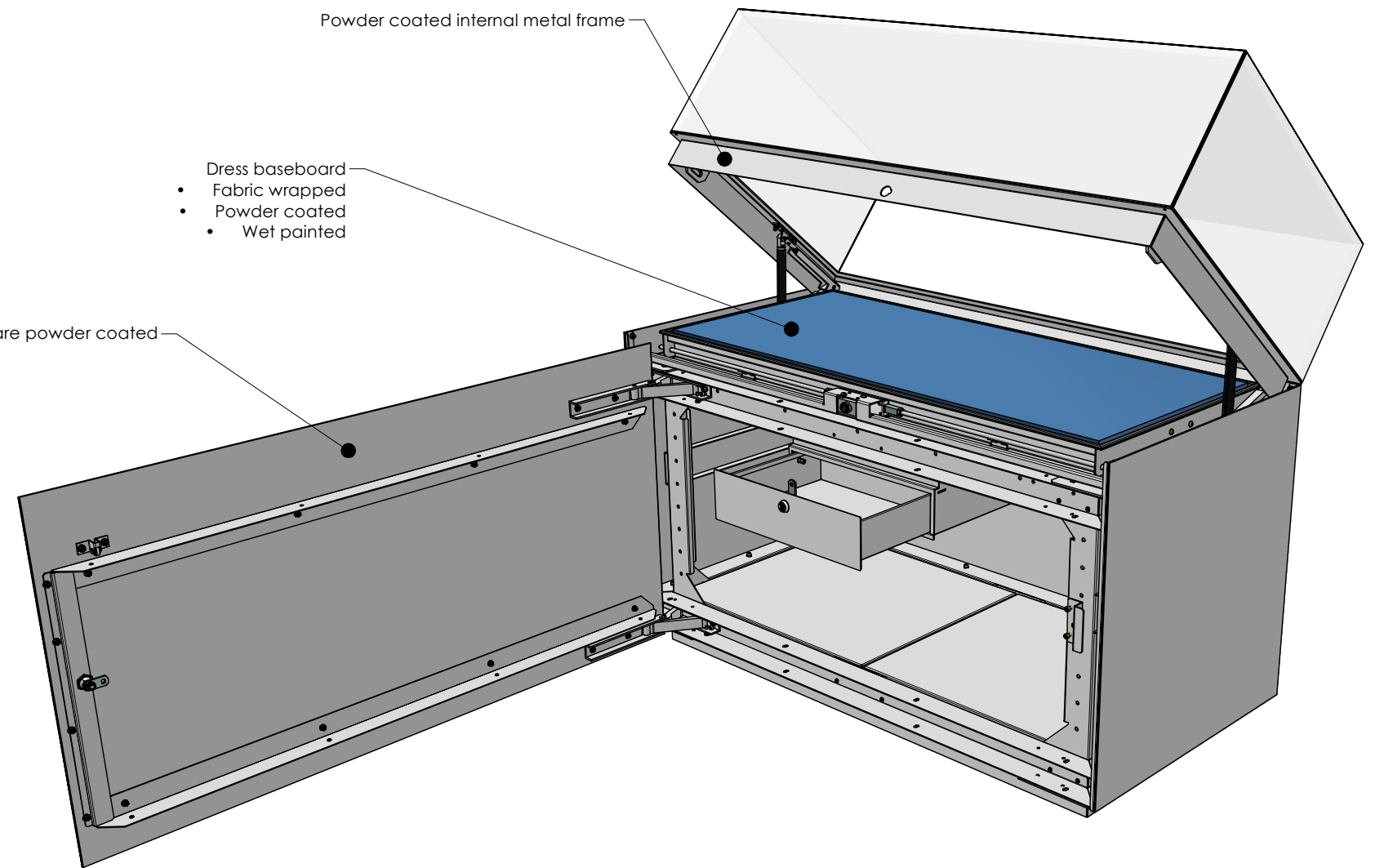
REGISTERED IN SCOTLAND NO SC209017 VAT REG 848038508

000000-C07978-C-01.dwg Rev A



By Appointment to HM The Queen
Display Case Suppliers
Click Netherfield Limited

PRISM 6 BOTTOM BACK HINGED

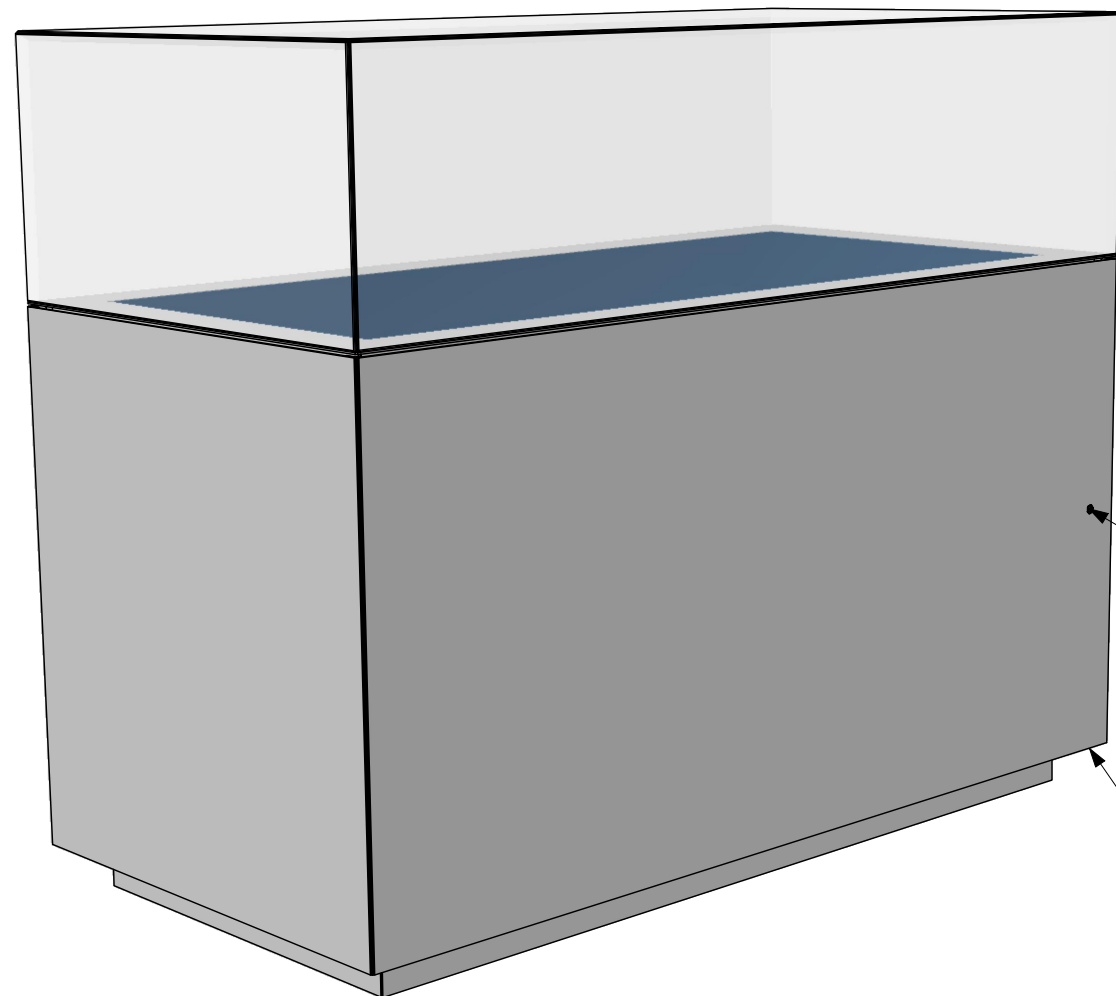


Powder coated internal metal frame

- Dress baseboard
- Fabric wrapped
 - Powder coated
 - Wet painted

All plinth surfaces are powder coated

PERSPECTIVE (OPEN)



PERSPECTIVE (CLOSED)

- Lockable plinth door. Access to:
- Levelling feet
 - Gas springs
 - Floor fixings (if provided)
 - Humidity control (if provided)
 - Lighting equipment (if provided)

For maintenance and storage

Plinth is compatible with "Case Movers" to be easily moved across floor

CLICKNETHERFIELD LTD
THE GLASSWORKS, GRANGE ROAD
HOUSTON INDUSTRIAL ESTATE
LIVINGSTON EH54 5DE, SCOTLAND
T +44 (0) 1506 835200
F +44 (0) 1506 835201
E SHOWCASES@CLICKNETHERFIELD.COM
WWW.CLICKNETHERFIELD.COM

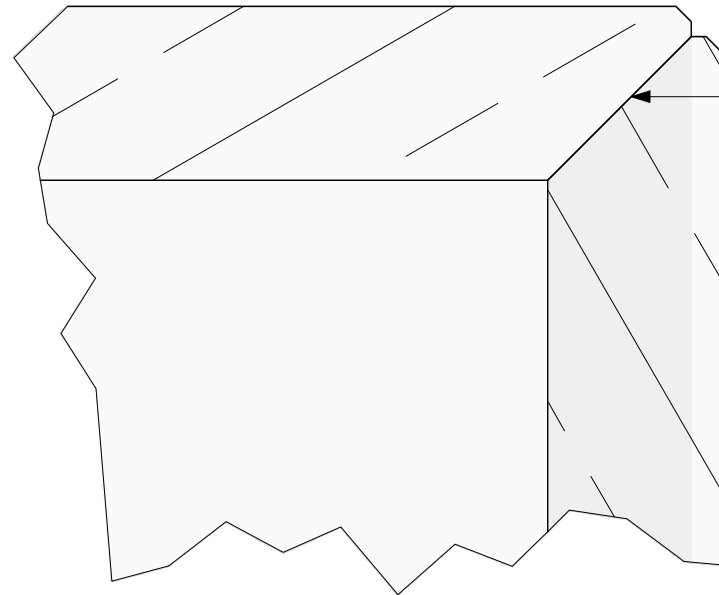
REGISTERED IN SCOTLAND NO SC209017 VAT REG 848038508

000000-C07978-C-01.dwg Rev A



By Appointment to HM The Queen
Display Case Suppliers
Click Netherfield Limited

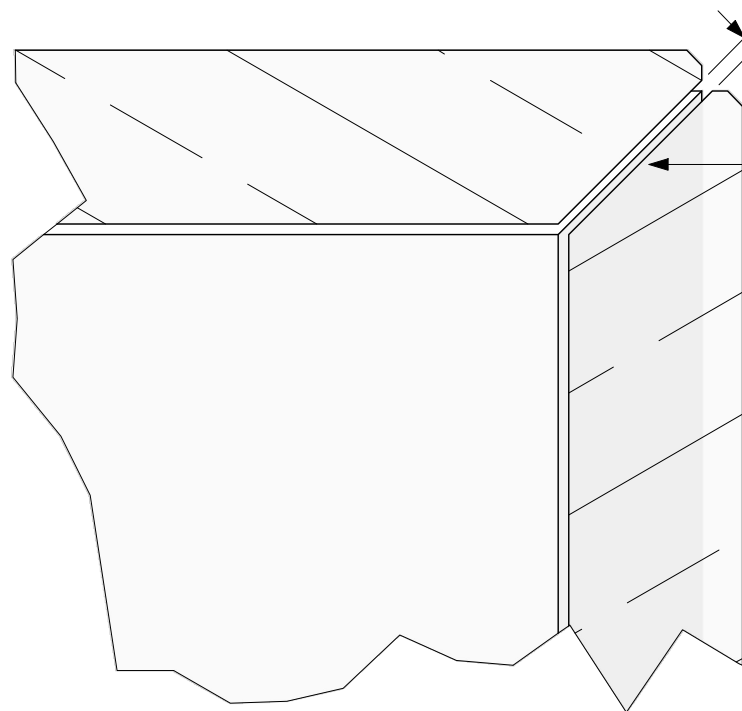
PRISM 6 BOTTOM BACK HINGED



Miter joint between glass panels
UV glue bonded*

* Size limitations may apply

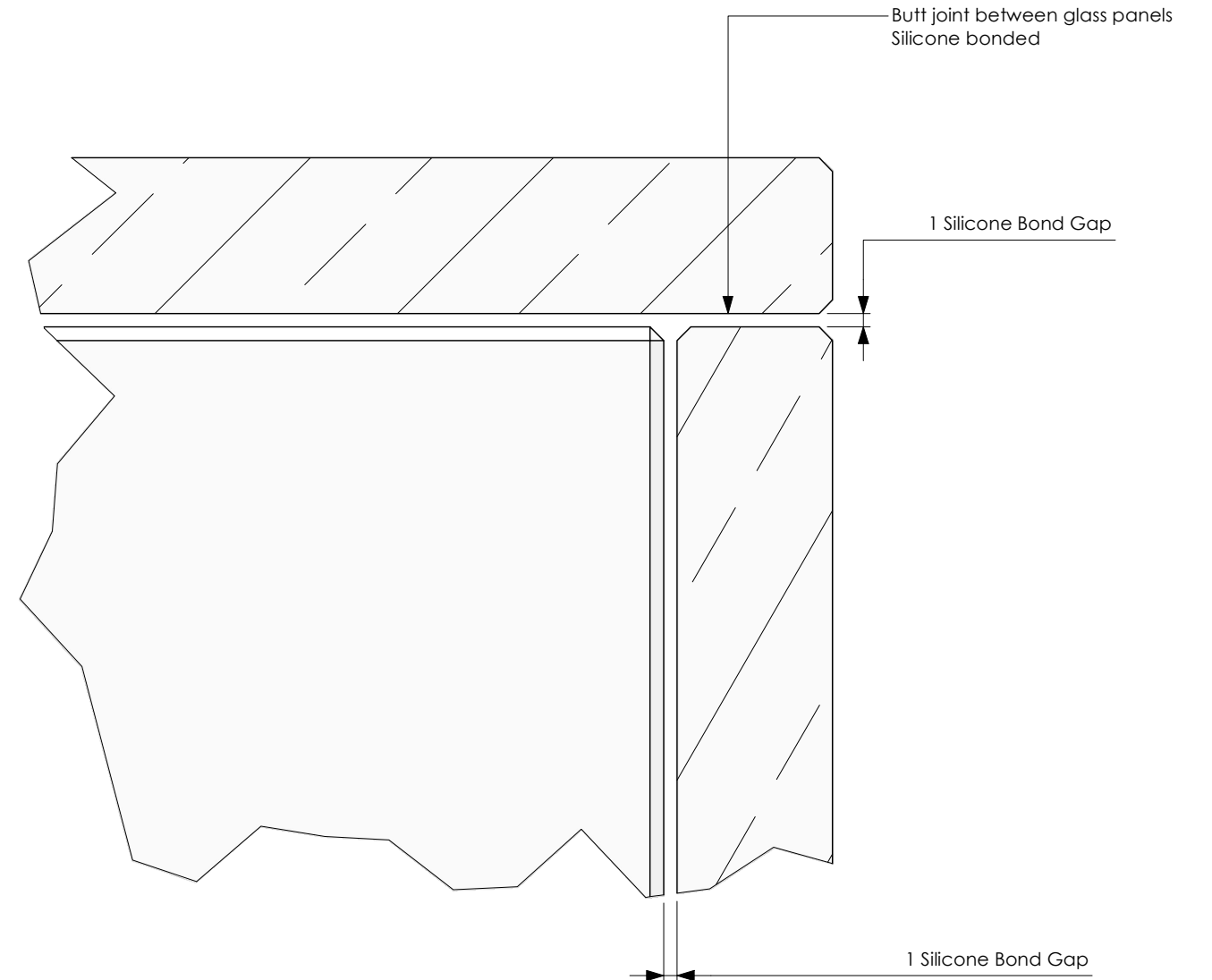
Miter joint and UV bonded



1 Silicone Bond All Around

Miter joint between glass panels
Silicone Bonded

Miter joint and silicone bonded



Butt joint between glass panels
Silicone bonded

1 Silicone Bond Gap

1 Silicone Bond Gap

Butt joint and silicone bonded

CLICKNETHERFIELD LTD
THE GLASSWORKS, GRANGE ROAD
HOUSTON INDUSTRIAL ESTATE
LIVINGSTON EH54 5DE, SCOTLAND
T +44 (0) 1506 835200
F +44 (0) 1506 835201
E SHOWCASES@CLICKNETHERFIELD.COM
WWW.CLICKNETHERFIELD.COM

REGISTERED IN SCOTLAND NO SC209017 VAT REG 848038508

000000-C07978-C-01.dwg Rev A

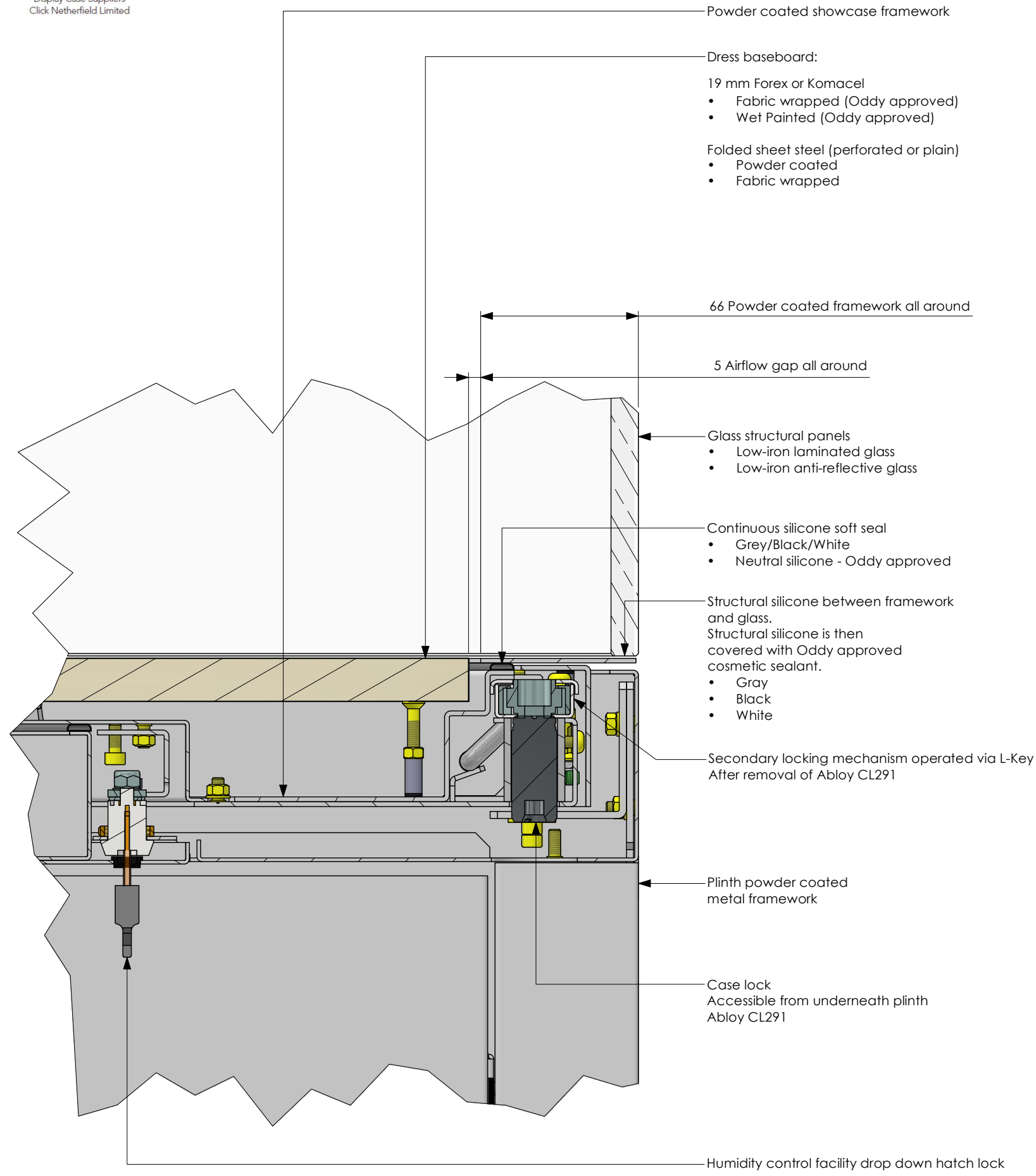


By Appointment to HM The Queen
Display Case Suppliers
Click Netherfield Limited

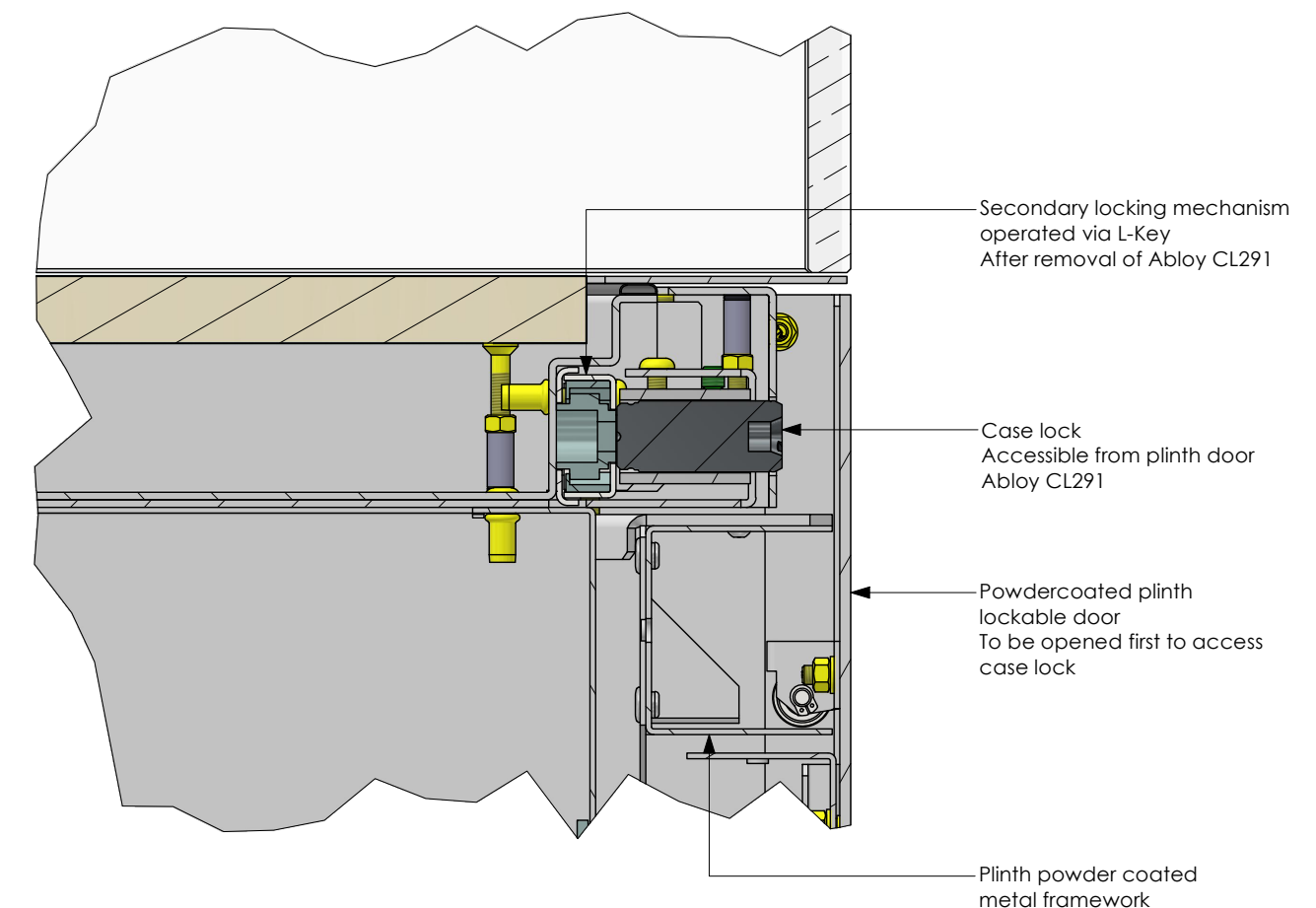
PRISM 6 BOTTOM BACK HINGED



**CLICK
NETHERFIELD**
SHOWCASING YOUR VISION



A
Lock accessible from below



D
Lock accessible from front

CLICKNETHERFIELD LTD
THE GLASSWORKS, GRANGE ROAD
HOUSTON INDUSTRIAL ESTATE
LIVINGSTON EH54 5DE, SCOTLAND
T +44 (0) 1506 835200
F +44 (0) 1506 835201
E SHOWCASES@CLICKNETHERFIELD.COM
WWW.CLICKNETHERFIELD.COM

REGISTERED IN SCOTLAND NO SC209017 VAT REG 848038508

000000-C07978-C-01.dwg Rev A

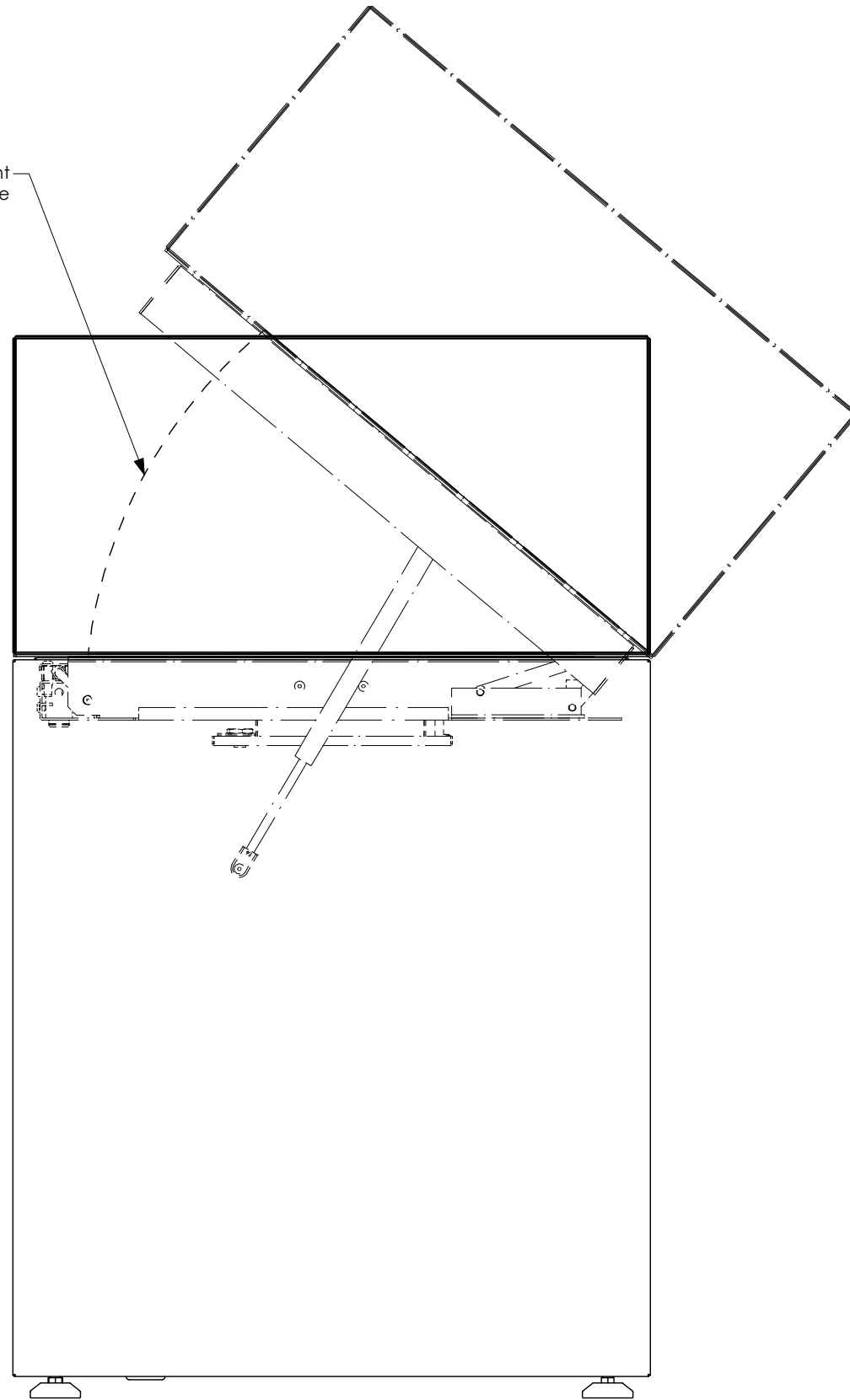


By Appointment to HM The Queen
Display Case Suppliers
Click Netherfield Limited

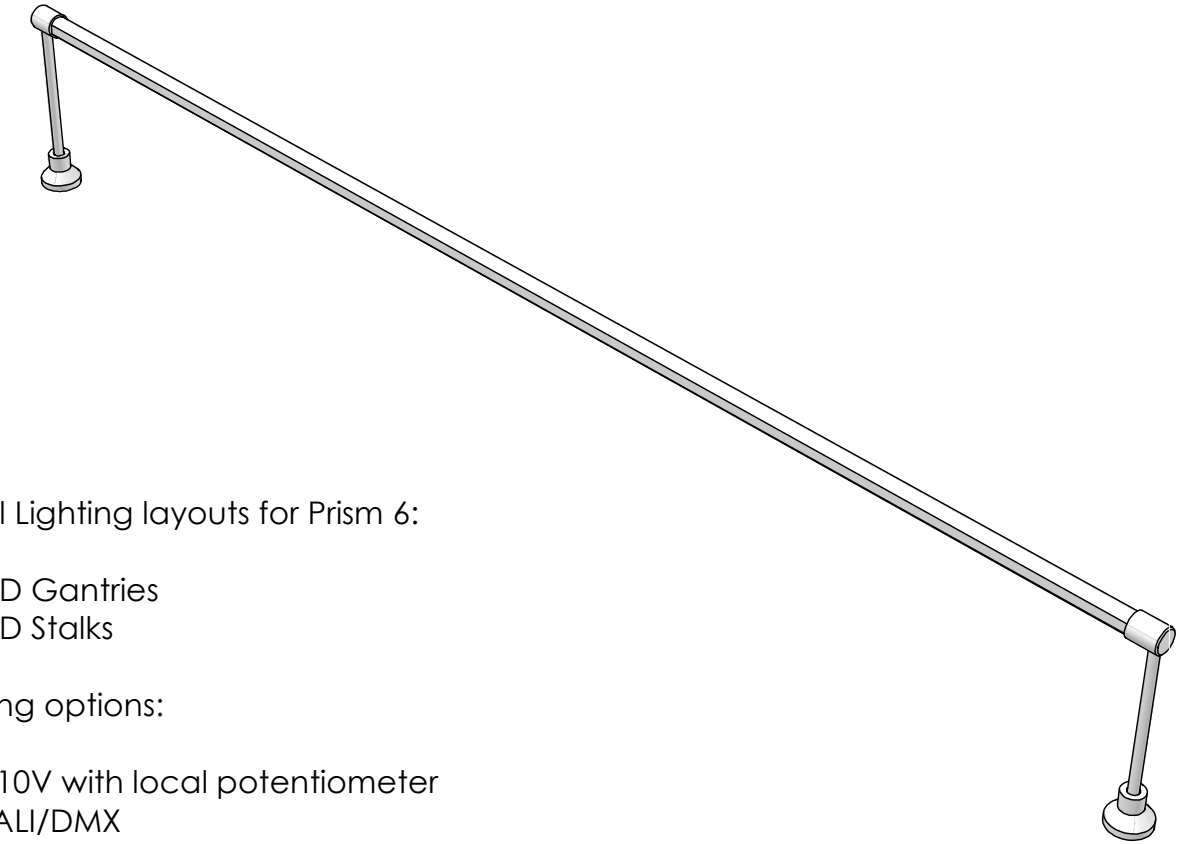
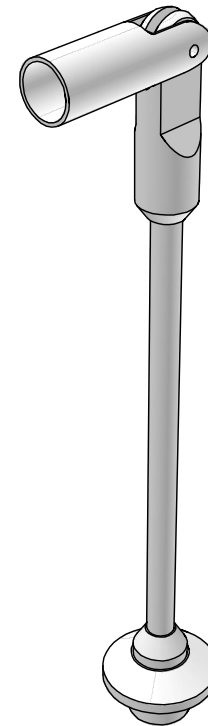
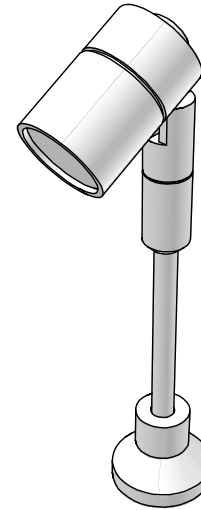
PRISM 6 BOTTOM BACK HINGED



Opening arc restricts lights height at front of case



END ELEVATION (OPEN)



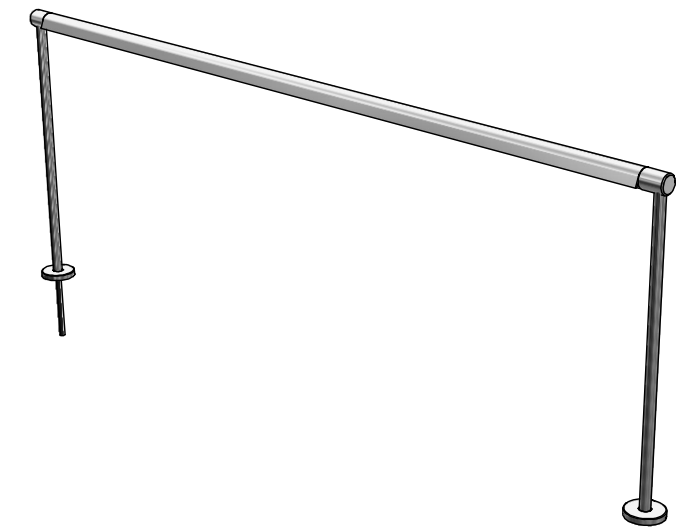
Typical Lighting layouts for Prism 6:

- LED Gantries
- LED Stalks

Dimming options:

- 0-10V with local potentiometer
- DALI/DMX
- Casambi

Product type and specification can be tailored for specific display requirements.



CLICKNETHERFIELD LTD
THE GLASSWORKS, GRANGE ROAD
HOUSTON INDUSTRIAL ESTATE
LIVINGSTON EH54 5DE, SCOTLAND
T +44 (0) 1506 835200
F +44 (0) 1506 835201
E SHOWCASES@CLICKNETHERFIELD.COM
WWW.CLICKNETHERFIELD.COM

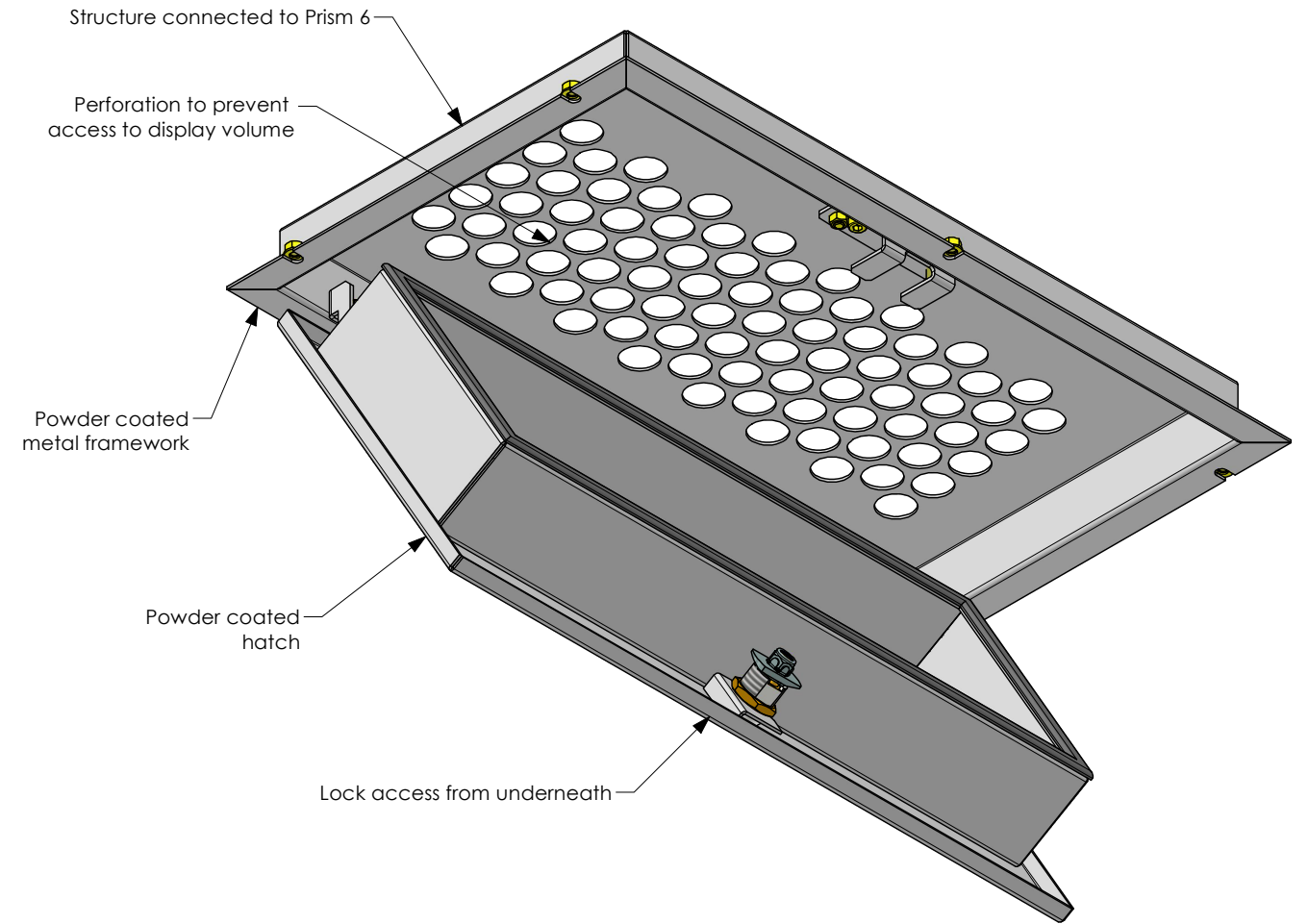
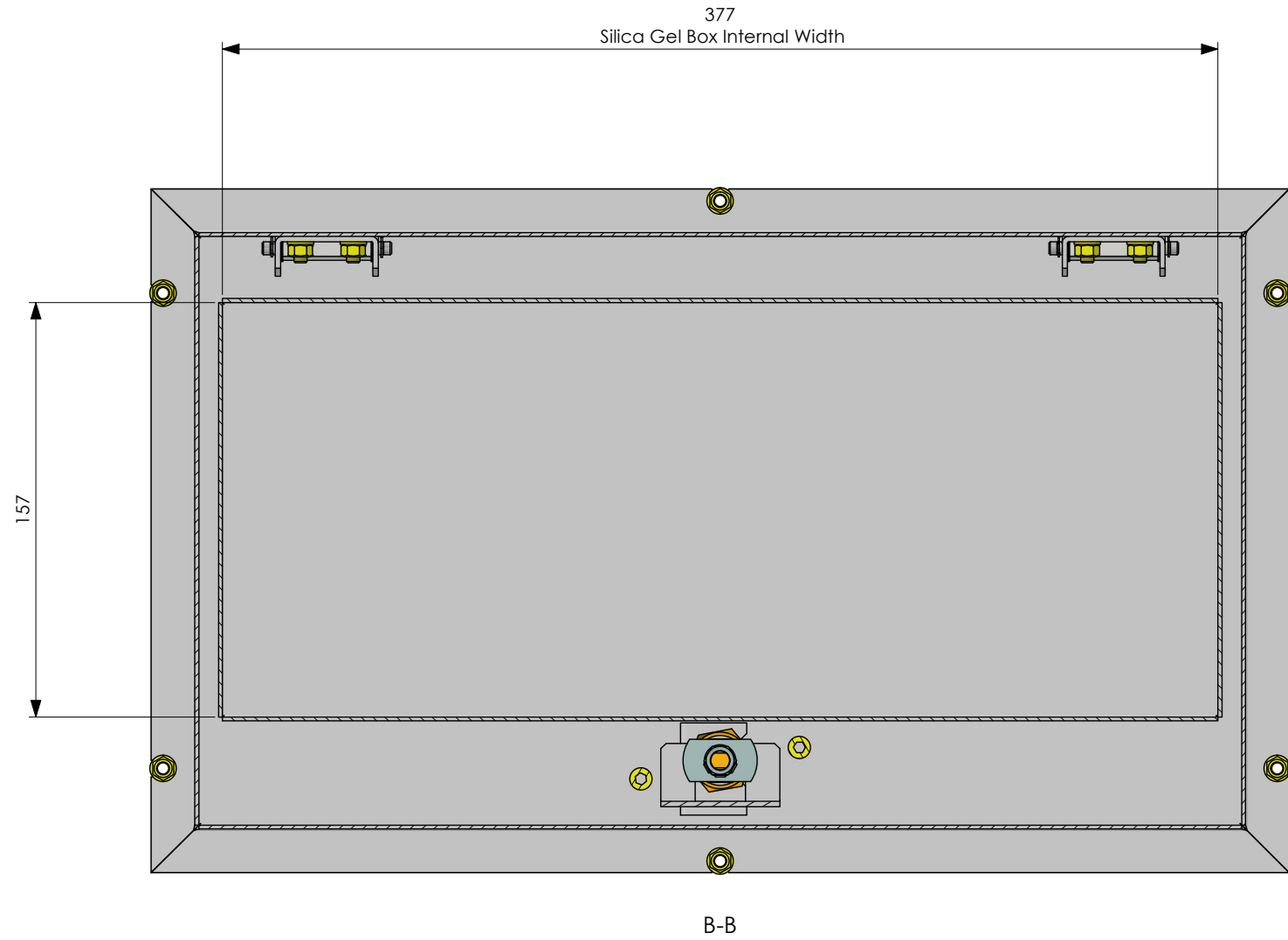
REGISTERED IN SCOTLAND NO SC209017 VAT REG 848038508

000000-C07978-C-01.dwg Rev A

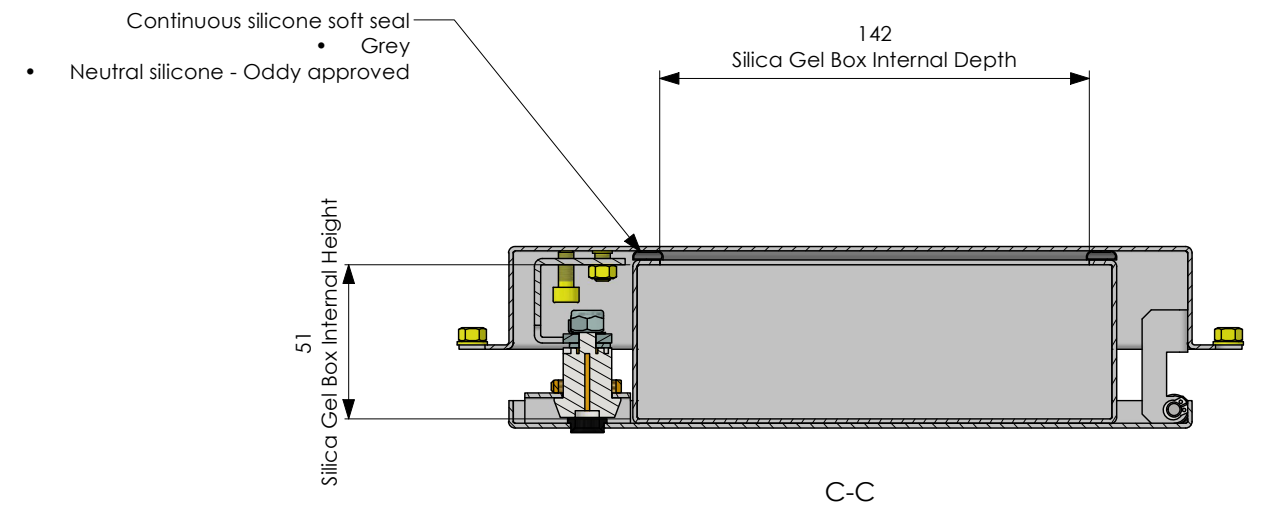
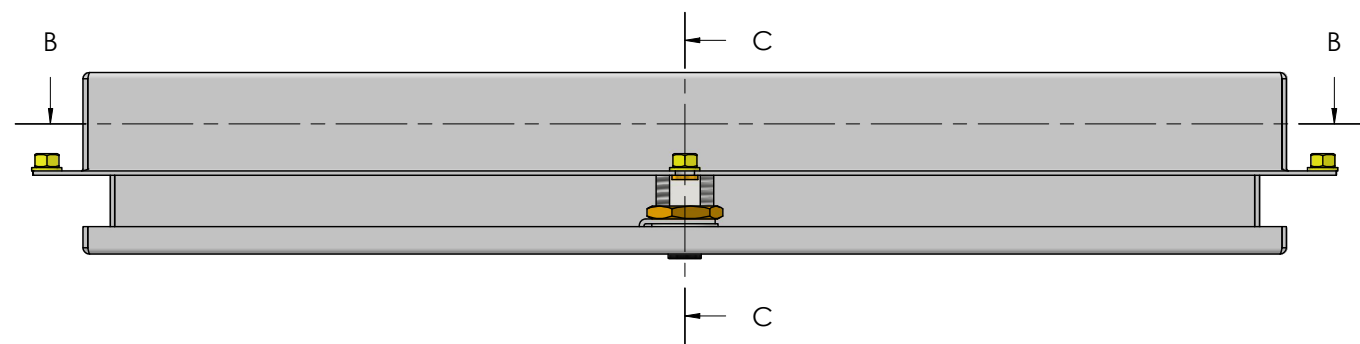


By Appointment to HM The Queen
Display Case Suppliers
Click Netherfield Limited

PRISM 6 BOTTOM BACK HINGED



SILICA GEL DROP DOWN HATCH
ONLY ON SLAB END PLINTH



CLICKNETHERFIELD LTD
THE GLASSWORKS, GRANGE ROAD
HOUSTON INDUSTRIAL ESTATE
LIVINGSTON EH54 5DE, SCOTLAND
T +44 (0) 1506 835200
F +44 (0) 1506 835201
E SHOWCASES@CLICKNETHERFIELD.COM
WWW.CLICKNETHERFIELD.COM

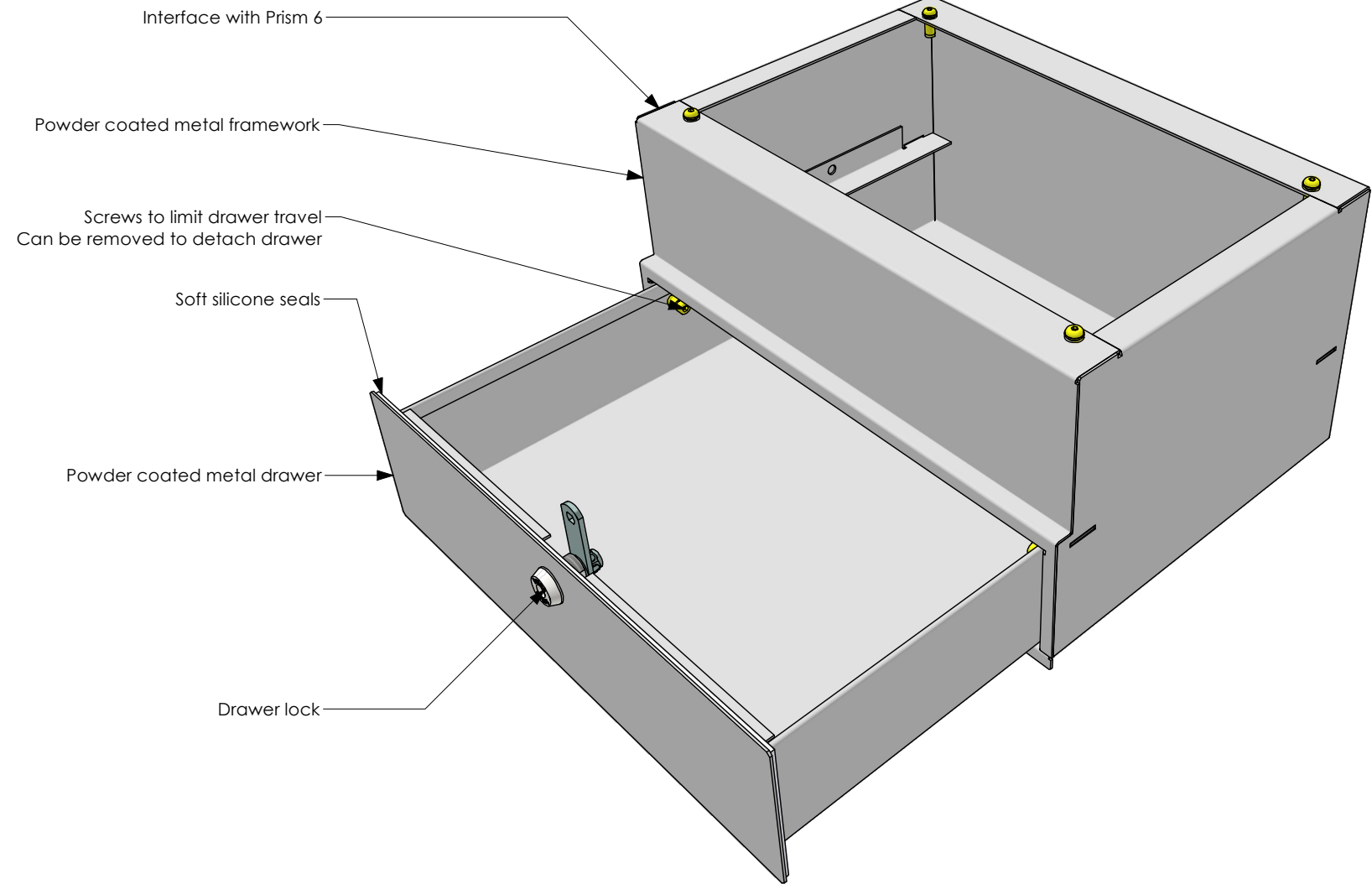
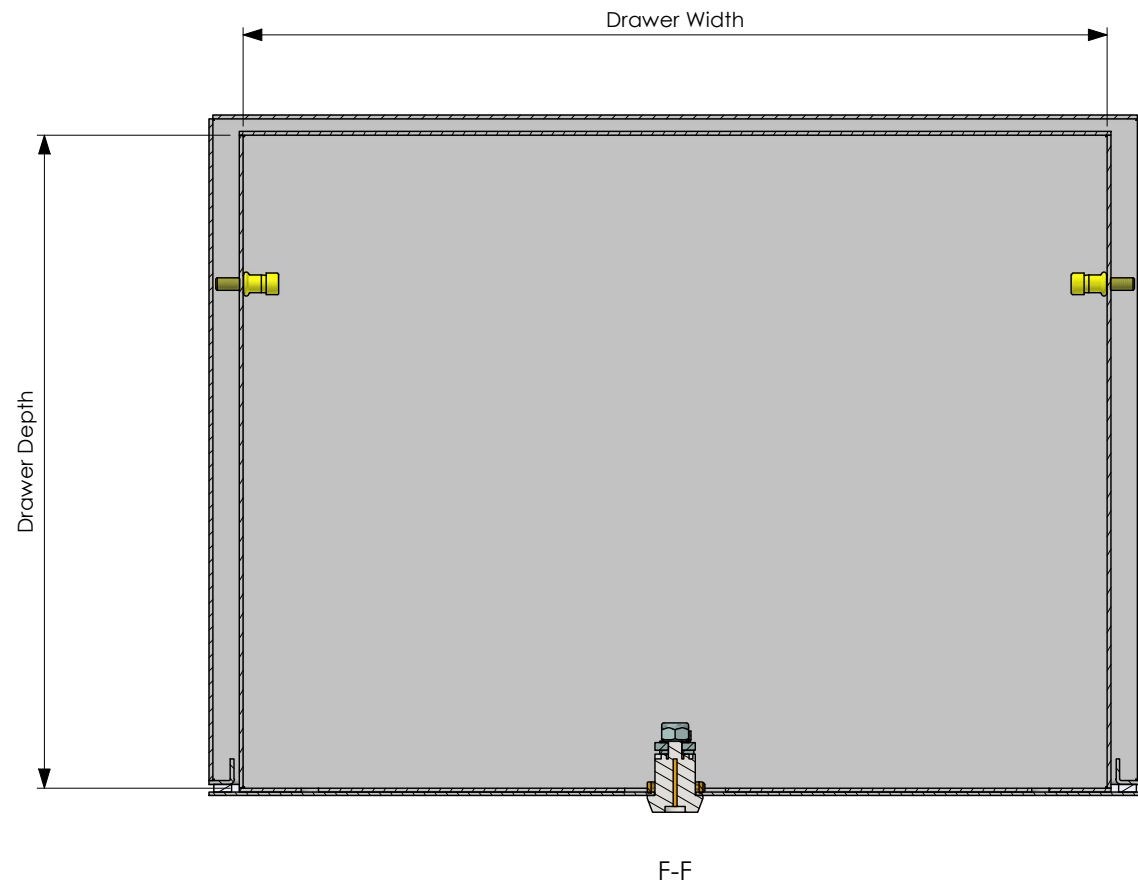
REGISTERED IN SCOTLAND NO SC209017 VAT REG 848038508

000000-C07978-C-01.dwg Rev A

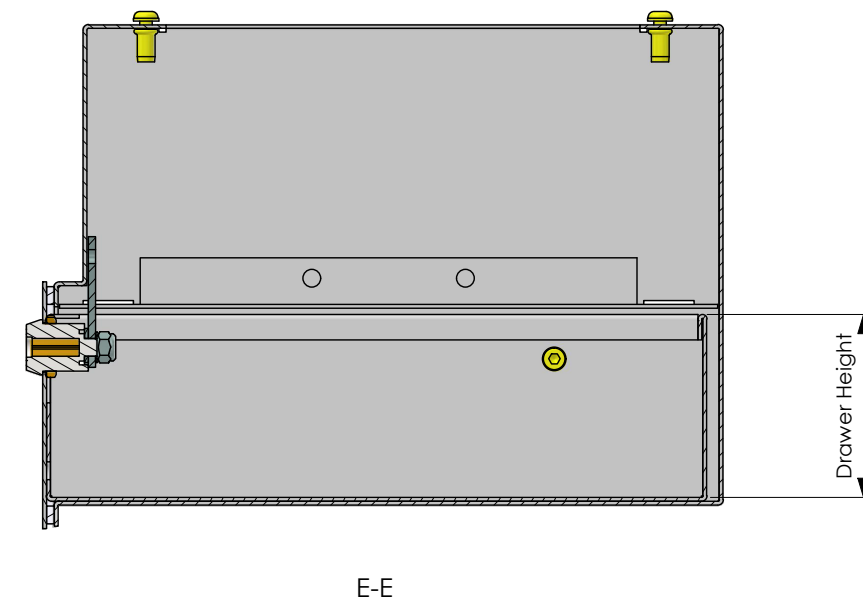
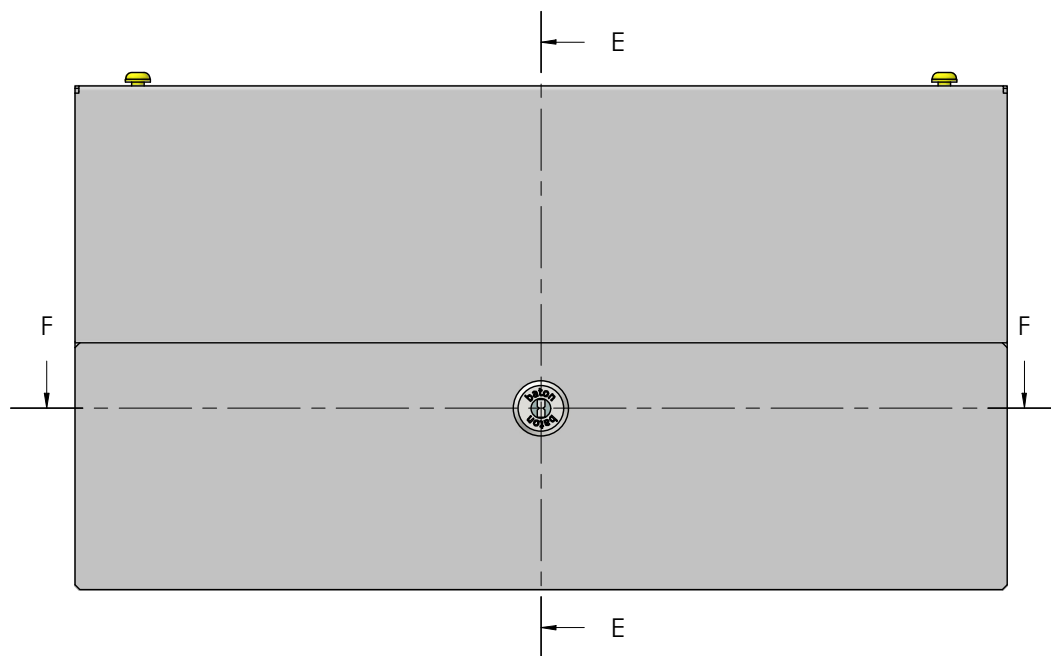


By Appointment to HM The Queen
Display Case Suppliers
Click Netherfield Limited

PRISM 6 BOTTOM BACK HINGED



HUMIDITY CONTROL FACILITY
WITH DRAWER (not available on SLAB END)



CLICKNETHERFIELD LTD
THE GLASSWORKS, GRANGE ROAD
HOUSTON INDUSTRIAL ESTATE
LIVINGSTON EH54 5DE, SCOTLAND
T +44 (0) 1506 835200
F +44 (0) 1506 835201
E SHOWCASES@CLICKNETHERFIELD.COM
WWW.CLICKNETHERFIELD.COM

REGISTERED IN SCOTLAND NO SC209017 VAT REG 848038508

000000-C07978-C-01.dwg Rev A